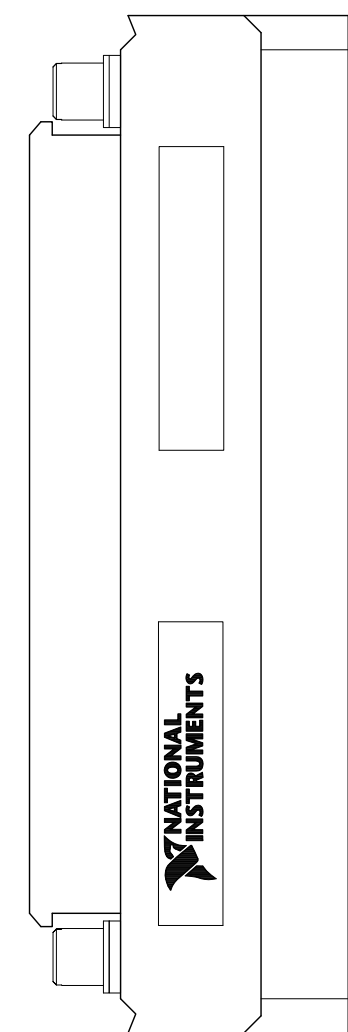
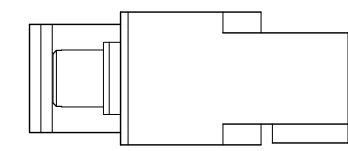
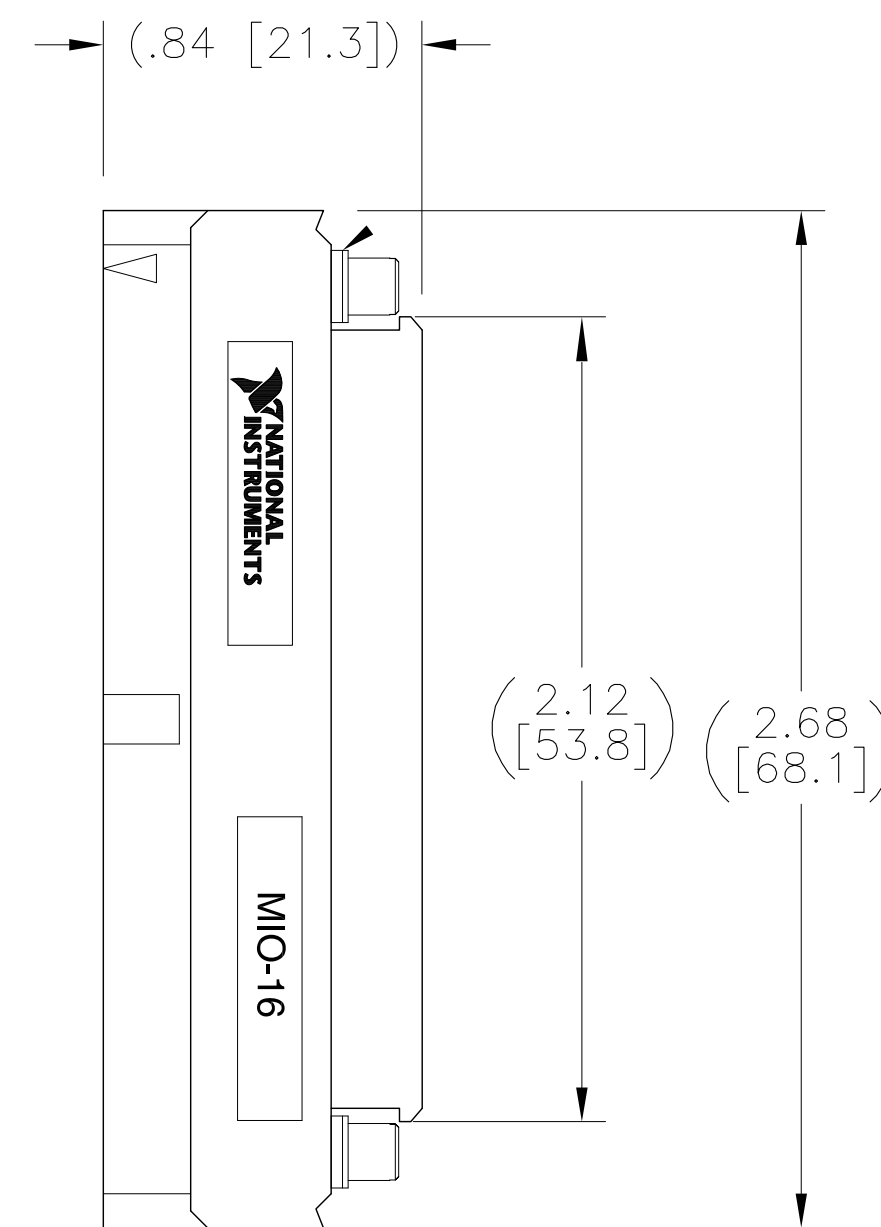
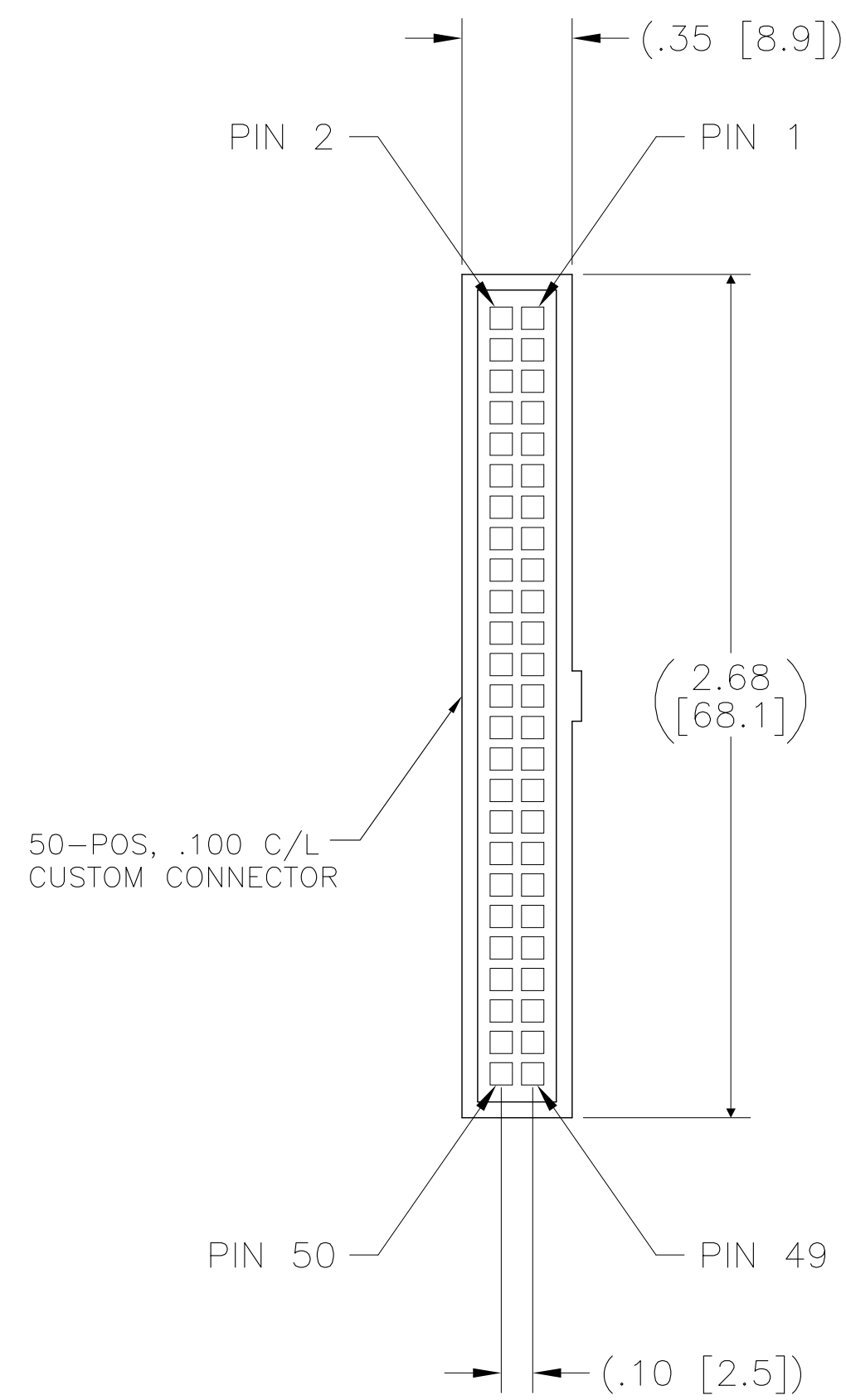


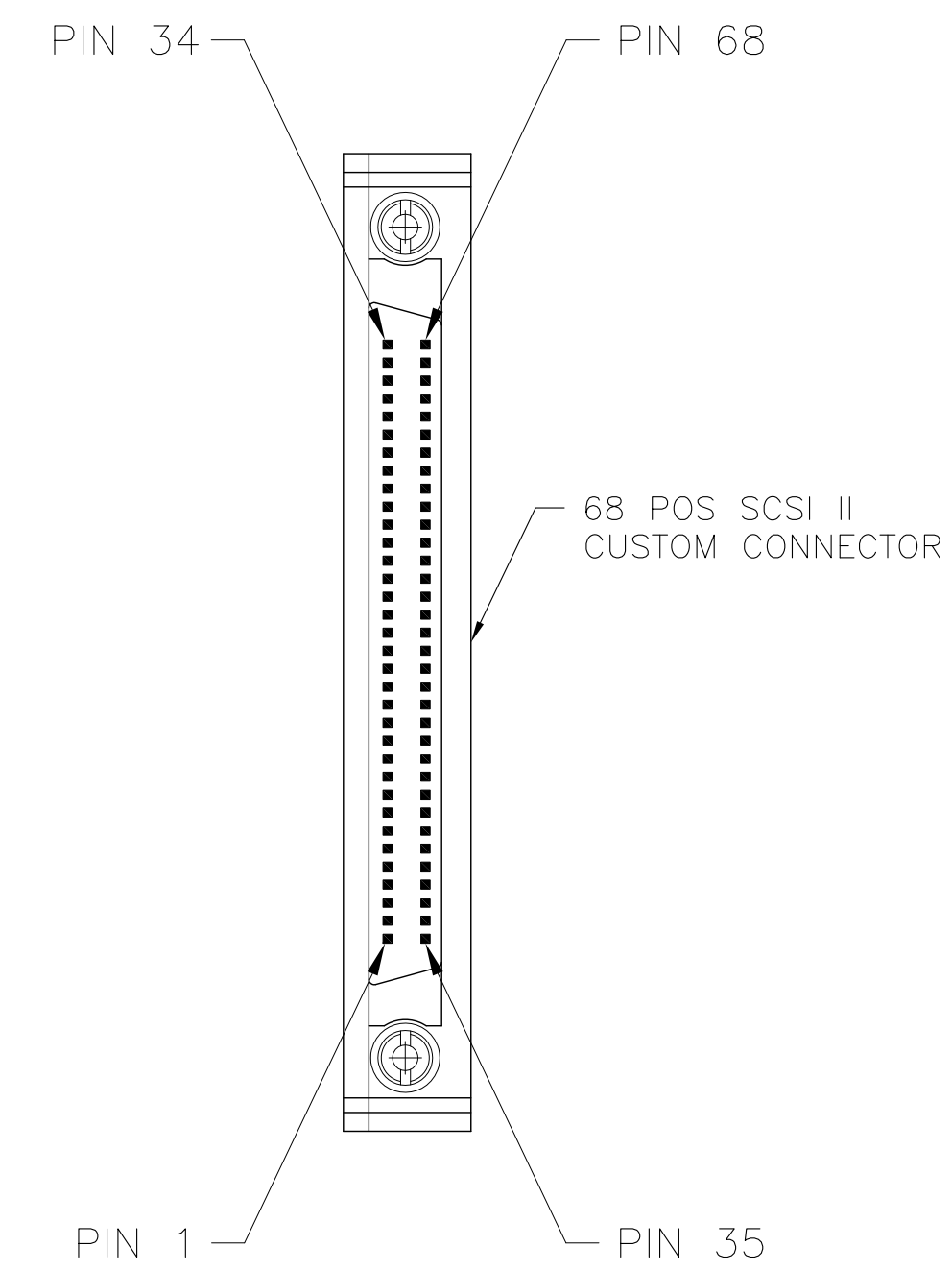
CUSTOMER DRAWING COMPATIBILITY			
REV	DESCRIPTION	DATE	APPROVED
A	DRAWING COMPATIBLE, OBSOLETE		
B	DRAWING COMPATIBLE, OBSOLETE		
C	DRAWING COMPATIBLE, OBSOLETE		
D	DRAWING COMPATIBLE, RELEASED		



P1



P2



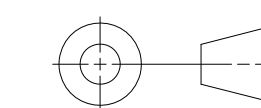
WIRE LIST	
P1 PIN NO	P2 PIN NO
1,2	22,27,29,32,56,59,64,67
3	68
4	34
5	33
6	66
7	65
8	31
9	30
10	63
11	28
12	61
13	60
14	26
15	25
16	58
17	57
18	23
19	62
20	22
21	21
22	20
23	54,55
24,33	4,7,9,12,13,15,18,35,36,39,44,50,53
25	52
26	19
27	17
28	51
29	49
30	16

WIRE LIST	
P1 PIN NO	P2 PIN NO
31	47
32	48
34	14
35	8
36	46
37	45
38	11
39	10
40	43
41	42
42	41
43	40
44	6
45	5
46	38
47	37
48	3
49	2
50	1

1. REFER TO PRODUCT MANUAL ON NI.COM FOR MORE DETAILS.
 NOTES: UNLESS OTHERWISE SPECIFIED.

CUSTOMER DRAWING

UNLESS OTHERWISE SPECIFIED DIMENSIONS ARE IN INCHES AND [MILLIMETERS]
 DO NOT SCALE DRAWING
 THIRD ANGLE PROJECTION



NATIONAL INSTRUMENTS® AUSTIN, TEXAS	
TITLE 68M-50F ADAPTER MIO-16	
SIZE D 7U296	CODE IDENT NO. DRAWING NO. 01/13/2017
SCALE: 2/1	SHEET 1 OF 1