

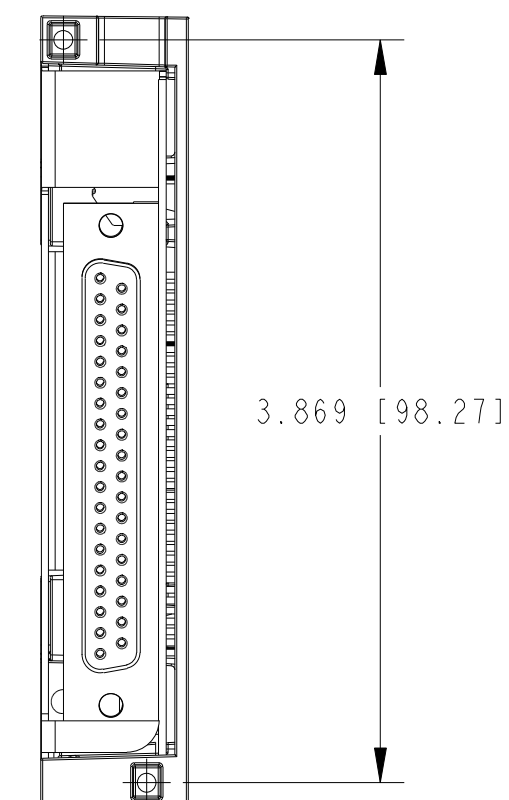
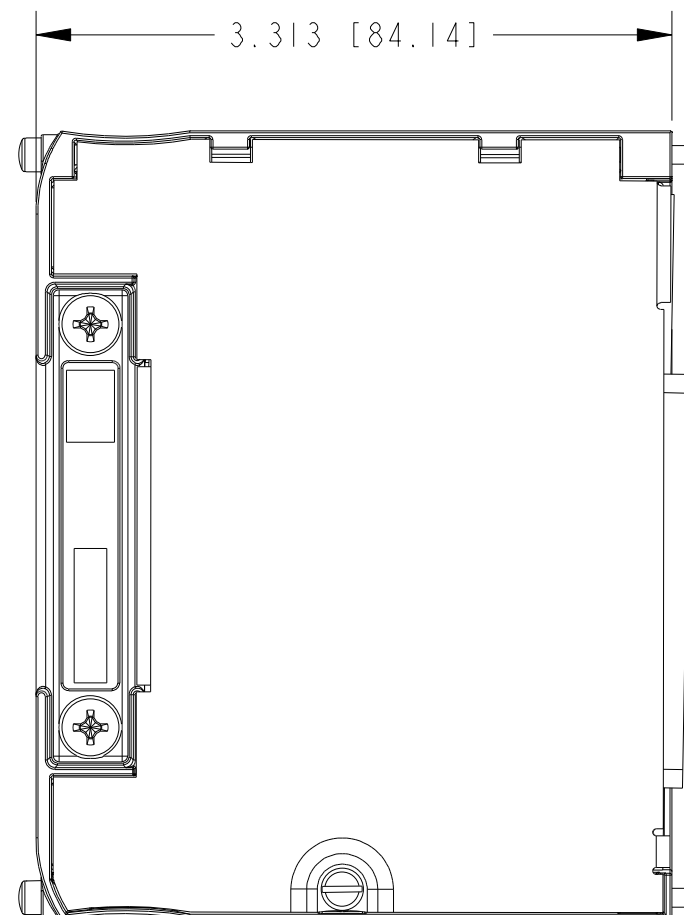
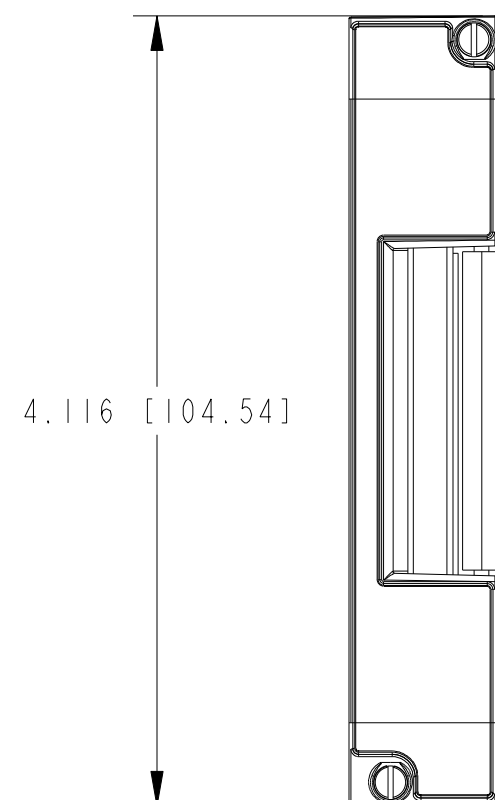
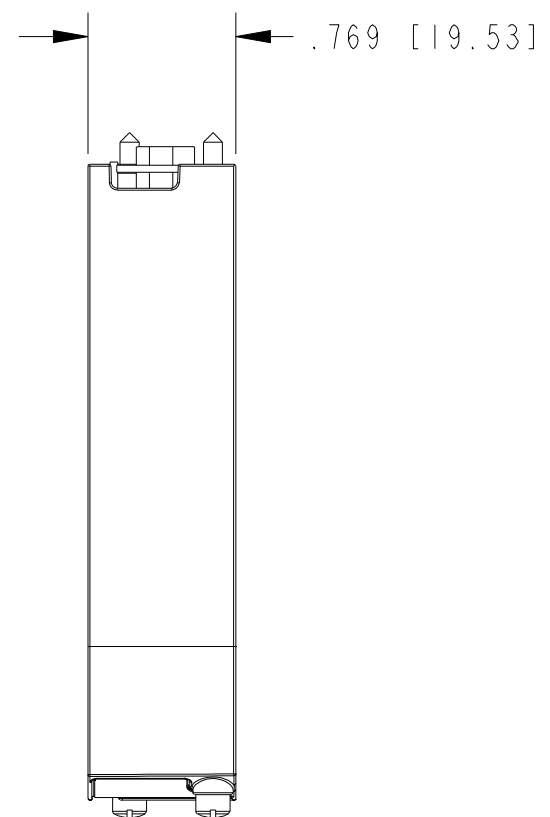
4

3

2

1

COPYRIGHT ©2010  
NATIONAL INSTRUMENTS CORPORATION AND ITS LICENSORS. ALL RIGHTS RESERVED.

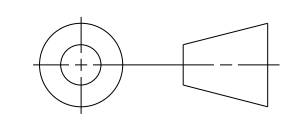


CUSTOMER DRAWING

UNLESS OTHERWISE SPECIFIED  
DIMENSIONS ARE IN INCHES AND  
[MILLIMETERS].

DO NOT SCALE DRAWING

THIRD ANGLE PROJECTION



**NATIONAL INSTRUMENTS®** AUSTIN, TEXAS

TITLE  
TB-2621

SIZE	CODE	IDENT NO.	MM/DD/YYYY
C	7U	296	08/10/2011

SCALE:	1/1	SHEET	1	OF	1
--------	-----	-------	---	----	---

4

3

2

1

D

D

C

C

B

B

A

A