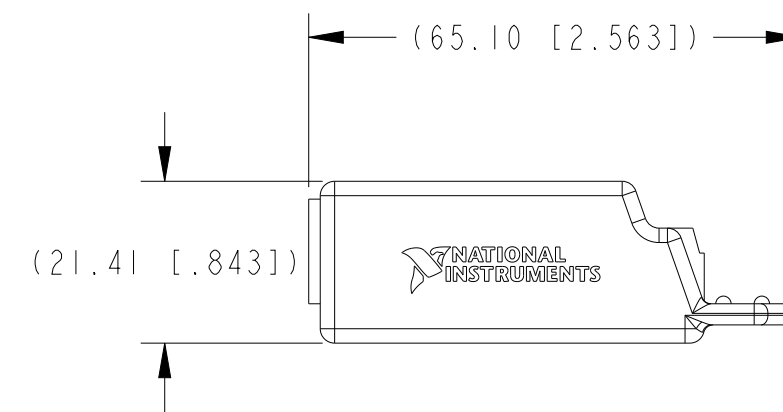
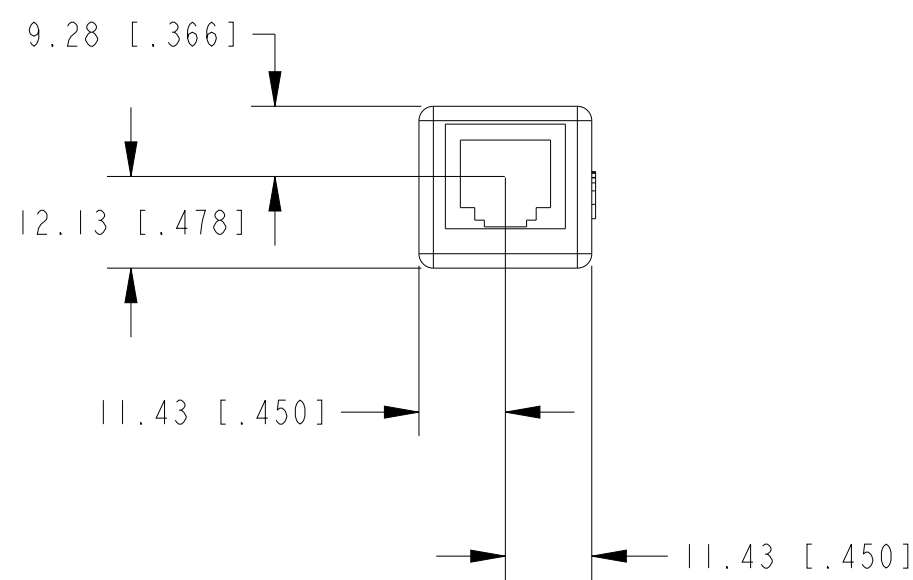
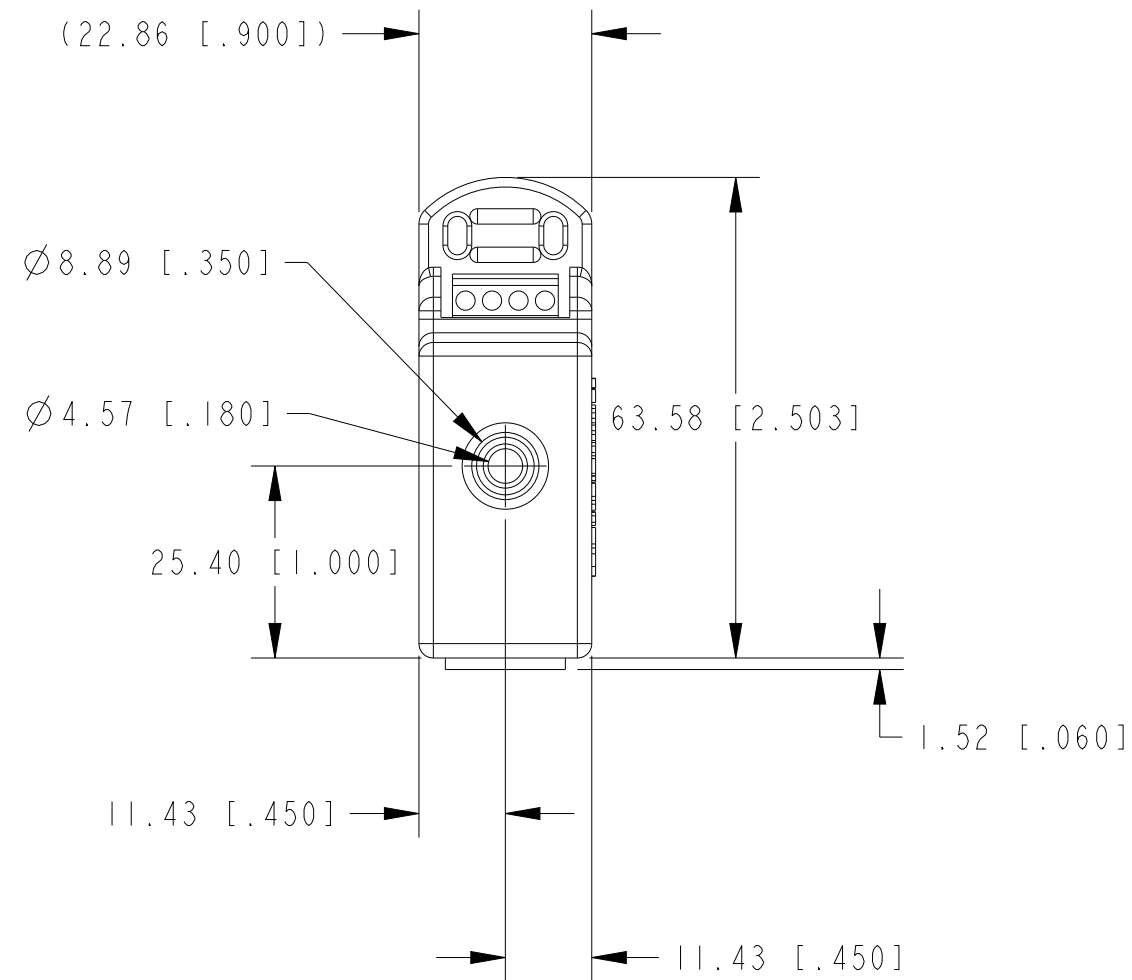


ISOMETRIC VIEW



METRIC

CUSTOMER DRAWING

UNLESS OTHERWISE SPECIFIED  
 DIMENSIONS ARE IN MILLIMETERS  
 AND [INCHES]



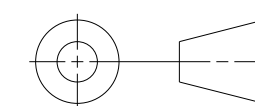
AUSTIN, TEXAS

DO NOT SCALE DRAWING

TITLE

NI 9926, 9944, 9955

THIRD ANGLE PROJECTION



SIZE CODE IDENT NO. MM/DD/YYYY

C7U296

08/20/2019

SCALE: 1/1

SHEET 1 OF 1

2. DIMENSIONS IN ( ) ARE FOR REFERENCE ONLY.  
 1. REFER TO PRODUCT MANUAL ON NI.COM FOR MORE DETAILS  
 NOTES: UNLESS OTHERWISE SPECIFIED.