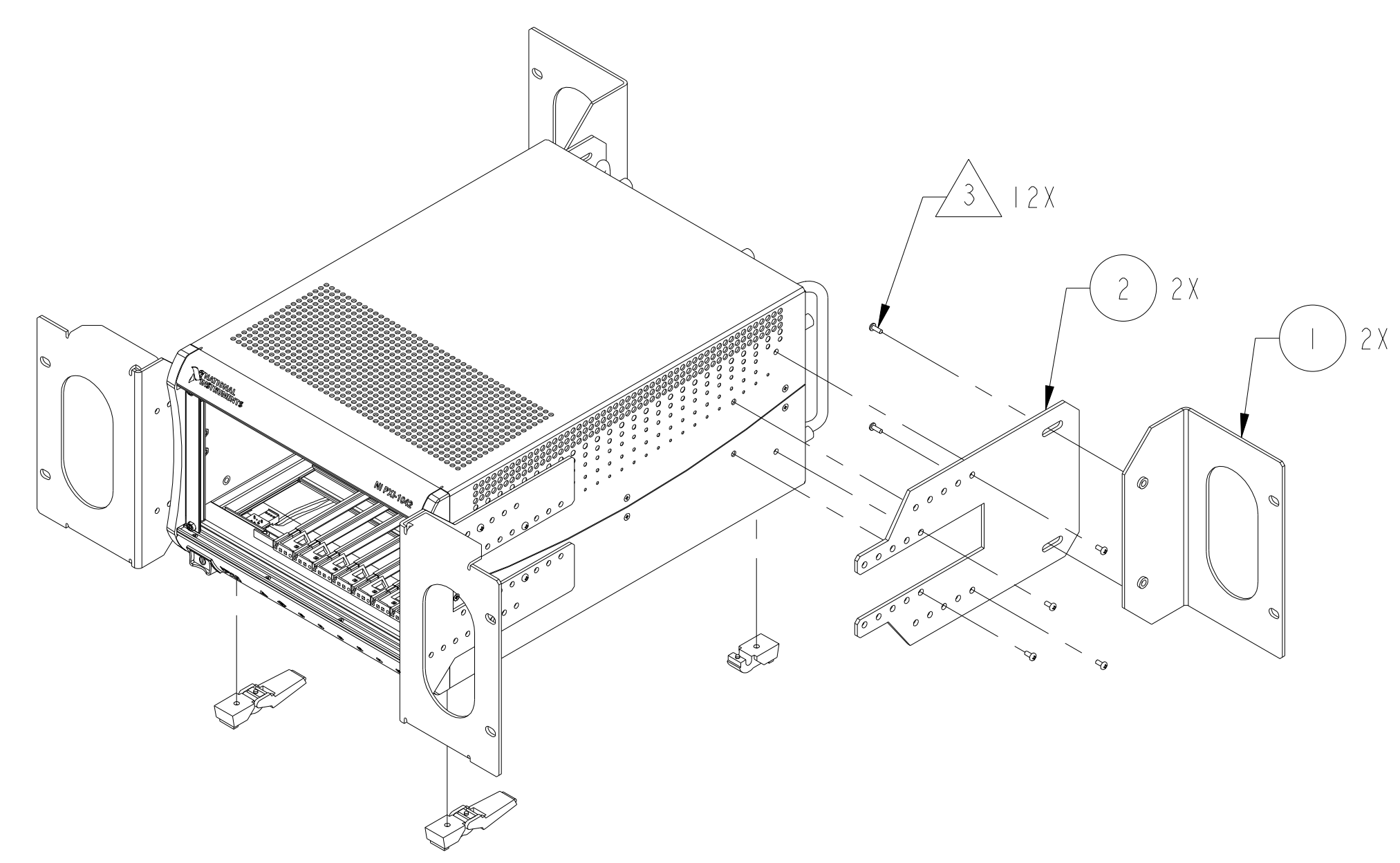


This document contains confidential and proprietary information which is the property of National Instruments Corporation. This proprietary information is supplied to the possessor pursuant to the possessor's agreement to do the following:

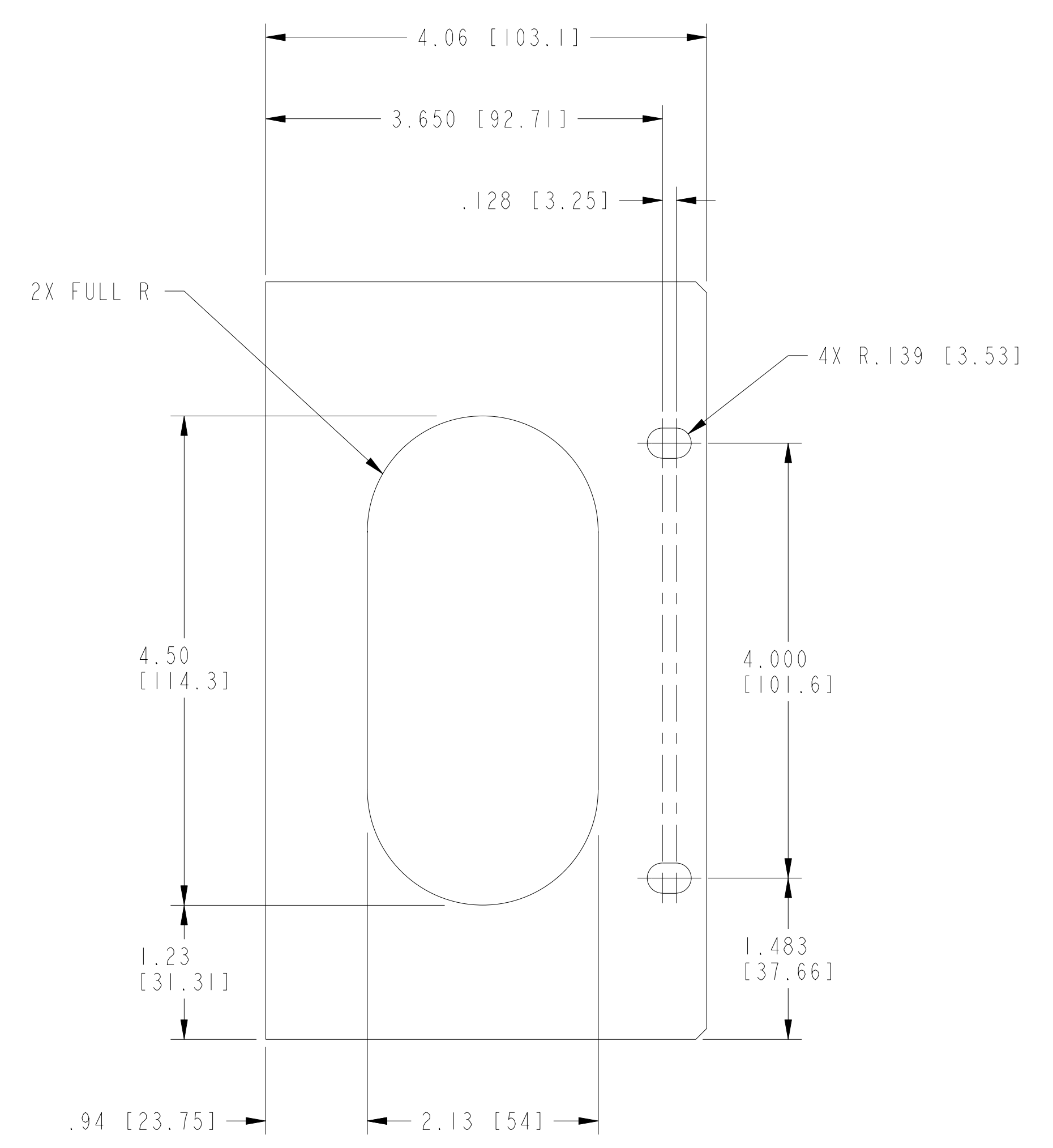
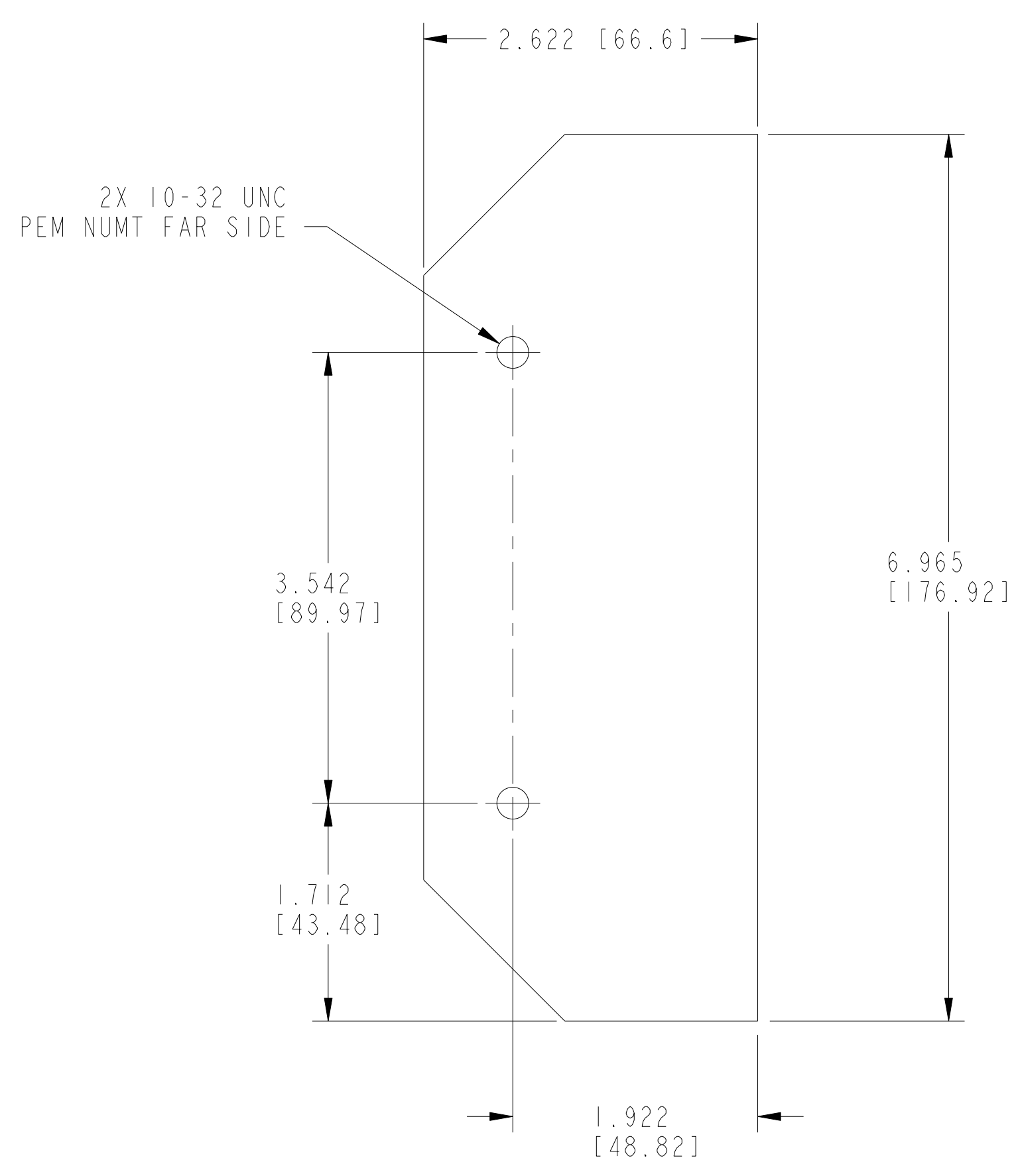
1. to maintain this document in confidence;
2. not to reproduce, publish or copy it in whole or in part without written permission; and
3. not to use this document as a basis for the manufacture or sale of goods without written permission.

© COPYRIGHT 2002, 2006
NATIONAL INSTRUMENTS CORPORATION. ALL RIGHTS RESERVED.

REVISIONS	
REV	DESCRIPTION
REVISION HISTORY IS CONTROLLED IN AN ELECTRONIC DATABASE. CONTACT NI FOR REVISION DETAILS IF NEEDED.	



INSTALLATION DETAIL
SCALE 3/10



- 3 MOUNTING HARDWARE PROVIDED WITH RACK MOUNT KIT.
- 2 ELECTRODEPOSITED NICKEL COATING FOR SERVICE INDOORS IN A WARM, DRY ATMOSPHERE (SC1), 10 MICROMETERS COPPER UNDERPLATING, FULLY BRIGHT FINISH PER ASTM B689-90, TYPE 2, CLASS 10.

1. DIMENSIONS IN () ARE FOR REFERENCE ONLY.
NOTES: UNLESS OTHERWISE SPECIFIED.

1 L BRACKET

CUSTOMER DRAWING

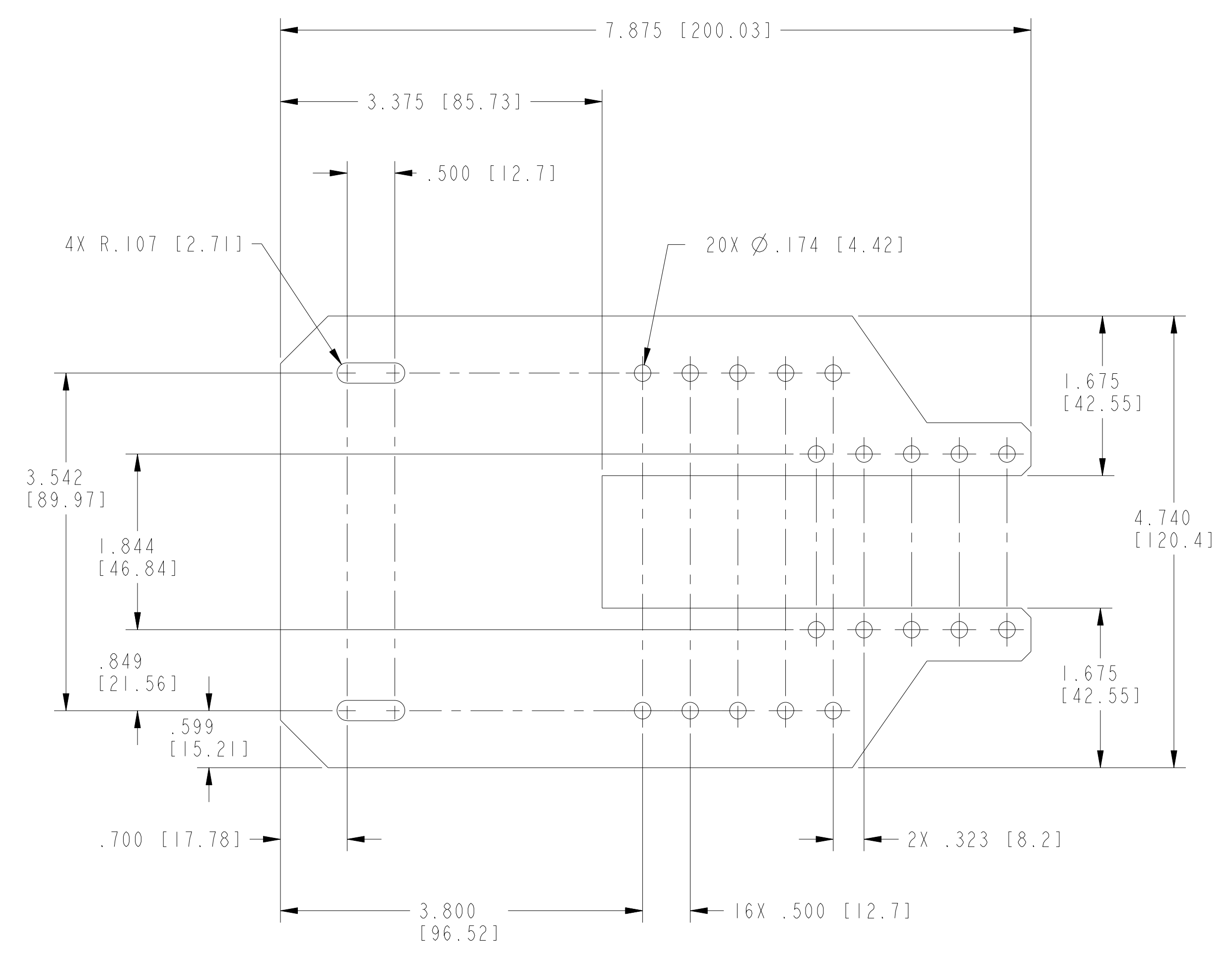
THIRD ANGLE PROJECTION	UNLESS OTHERWISE SPECIFIED, DIMENSIONS ARE IN INCHES AND (MILLIMETERS) TOLERANCES ARE: .XX (.X)±.01 (0.3) ANGLES: .XX (.XX)±.005 (0.13) ±2° DO NOT SCALE DRAWING	DESIGN TEAM	 AUSTIN, TEXAS TITLE REAR RACK MOUNT KIT, PXI 8-SLOT CHASSIS
	MATERIAL 12 GAGE (.105 [2.67]) COLD-ROLLED STEEL	DRAWN J. TALBOTT 7/25/06 CHECKER J. TALBOTT MECHANICAL ENGINEER R. BALDWIN	

CD_189362-01 3

This document contains confidential and proprietary information which is the property of National Instruments Corporation. This proprietary information is supplied to the possessor pursuant to the possessor's agreement to do the following:

1. to maintain this document in confidence;
2. not to reproduce, publish or copy it in whole or in part without written permission; and
3. not to use this document as a basis for the manufacture or sale of goods without written permission.

© COPYRIGHT 2002, 2006
NATIONAL INSTRUMENTS CORPORATION. ALL RIGHTS RESERVED.



2 REAR MOUNTING PLATE

SIZE	CODE	IDENT NO.	DRAWING NO.	REV
D	7U296		CD_189362-01	3
SCALE: 1/1			SHEET 2 OF 2	