

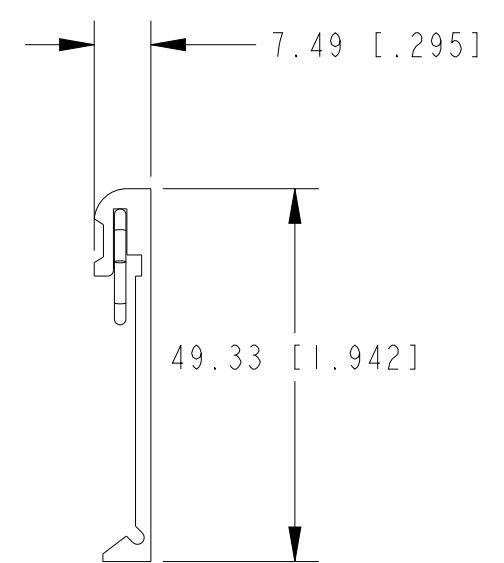
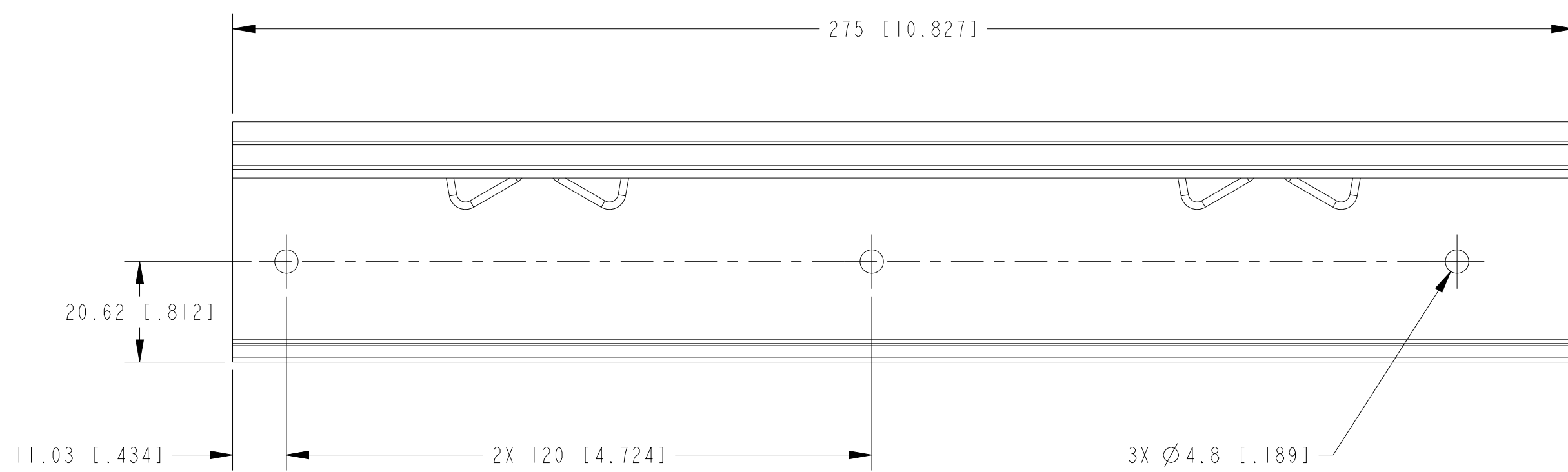
4

3

2

1

COPYRIGHT ©2015
NATIONAL INSTRUMENTS CORPORATION AND ITS LICENSORS. ALL RIGHTS RESERVED.

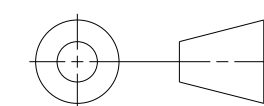


CUSTOMER DRAWING

UNLESS OTHERWISE SPECIFIED
DIMENSIONS ARE IN INCHES AND
[MILLIMETERS].

DO NOT SCALE DRAWING

THIRD ANGLE PROJECTION



AUSTIN, TEXAS

TITLE

DIN RAIL MOUNTING,
cR10-9035/9036/9038/9039
cDAQ-9133/9135/9137

SIZE CODE IDENT NO. MM/DD/YYYY

C7U296

11/20/2015

SCALE: 1/1

SHEET 1 OF 1

CU_DIN_SMASHER_8SL0T

1. REFER TO PRODUCT MANUAL ON NI.COM FOR MORE DETAILS
NOTES: UNLESS OTHERWISE SPECIFIED.

4

3

2

1