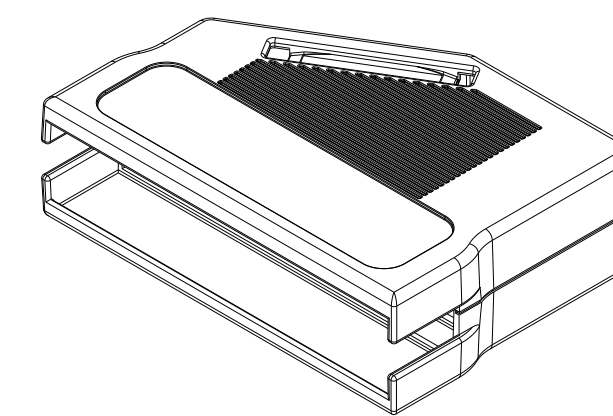
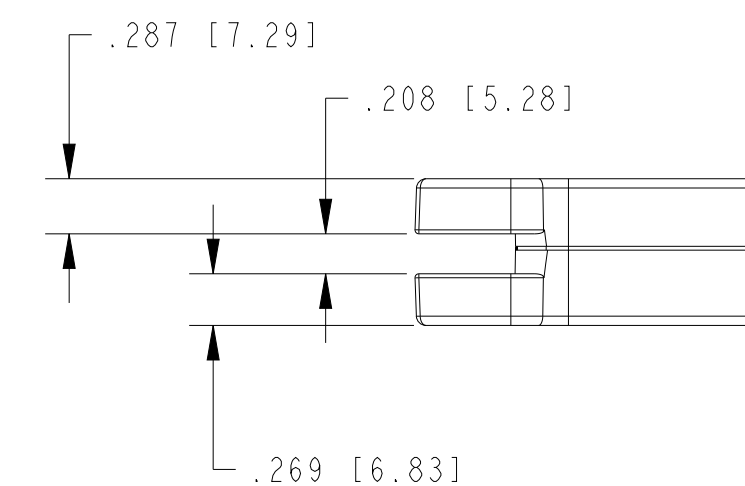
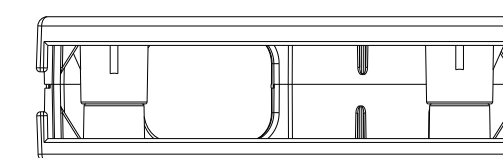
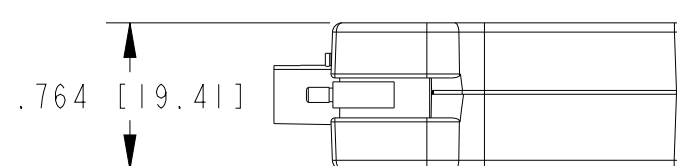
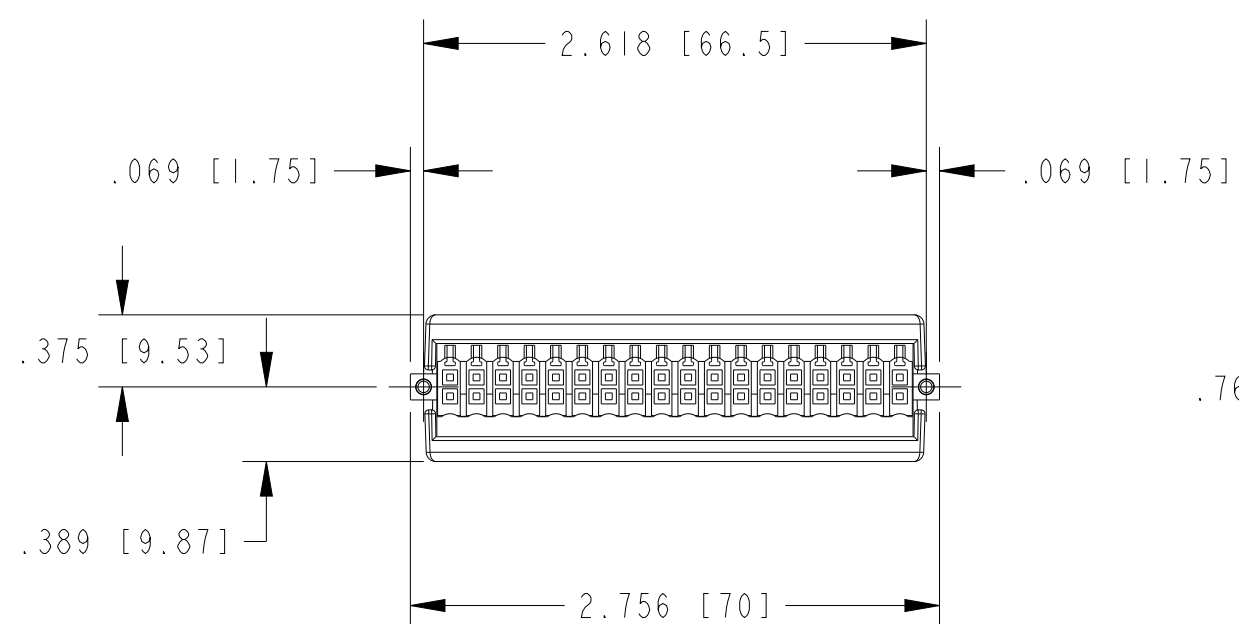
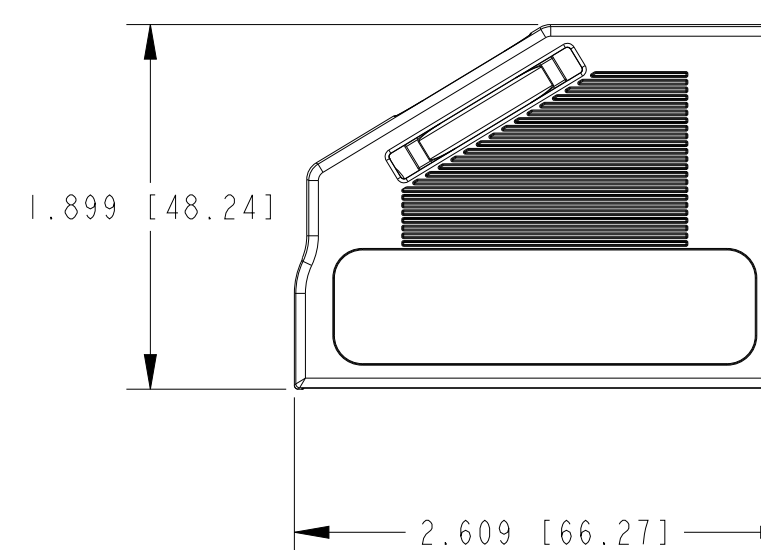
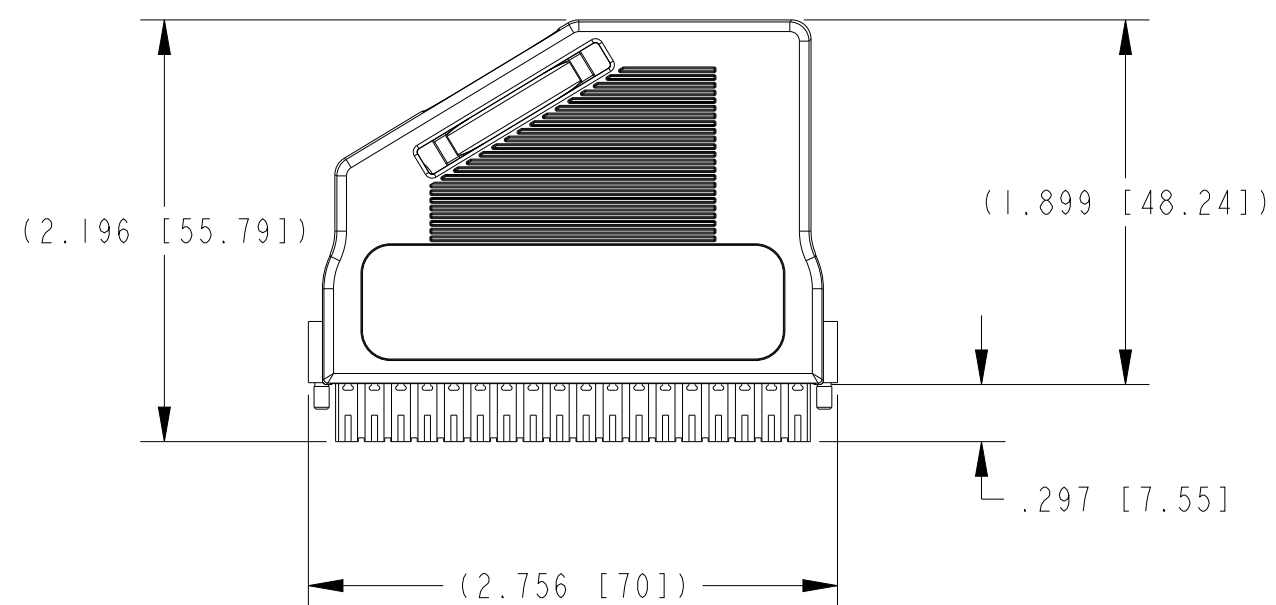


ISOMETRIC VIEW
 WITH 36 PIN CONNECTOR



ISOMETRIC VIEW
 BACKSHELL ONLY

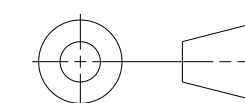


CUSTOMER DRAWING

UNLESS OTHERWISE SPECIFIED
 DIMENSIONS ARE IN INCHES AND
 [MILLIMETERS].

DO NOT SCALE DRAWING

THIRD ANGLE PROJECTION



		AUSTIN, TEXAS	
TITLE			
NI 9940			
36 PIN WEIDMULLER CONNECTOR BLOCK			
SIZE	CODE	IDENT NO.	MM/DD/YYYY
C	7U296		03/11/2016
SCALE:	1/1	SHEET	OF 1

2. DIMENSIONS IN () ARE FOR REFERENCE ONLY.
1. REFER TO PRODUCT MANUAL ON NI.COM FOR MORE DETAILS
- NOTES: UNLESS OTHERWISE SPECIFIED.